

WISEONE USER MANUAL - Quick reference guide

Thank you for purchasing your WiseONE Black Edition torch. Your new WiseONE Black Edition torch is a high precision manufactured rechargeable device which requires basic maintenance. Please take your time to read these instructions and enjoy your WiseONE torch.

Your WiseONE torch can be used in and out of water. If used in BOOST mode above water for longer Period of time you may notice the light will adjust the output level. This is an in-built feature to prevent overheating and maximize battery life.

Operations

Function	Operation
On/off	Turn left and release
Flight lock ON	Turn left and release 4 times within 2 seconds , check the orange indicator on the back of the light, turn left and release
Flight lock OFF	When in flight lock mode, turn left 4 times within two seconds to turn the light on
Strobe	While ON, turn left and hold
Toggle through output modes	Turn right and hold – will toggle through the output modes: 100% - 80% - 60% - 40% - 20%
Toggle through operating modes	Turn right and release will toggle through operating modes: Normal mode -> Boost –mode -> Tail light on with no main light -> Tail light and main light ON -> SOS

Maintenance

To clean the torch simply rinse in fresh clean water. Never use alcohol or chemicals to clean the torch. Ensure the charger port is clean and dry before placing the WiseONE in the charging cradle. Never dive with the WiseONE without the tail-plug/end cap. This will void warranty.

Make sure the ON/OFF switch is rinsed properly, the new switch on the WiseONE is revised for easier cleaning and maintenance.



Charging /battery indication

To charge your WiseONE , place it in the charging cradle. The charging cradle supports both 12V and 110V/220V input, all cables are included. The charger gives a orange indicator light when charging. and will when 90% battery capacity is reached give a blue light.

Tail-light battery status indication	Operation
80-100%	2 blue flashes
60-80%	4 blue flashes
40-60%	2 orange flashes
20-40%	4 orange flashes
0-20%	Continous orange light

To maximize battery life, never store your WiseONE with your battery discharged. This will eventually cause the battery to fail. Incorrect treatment of the Li-ion battery may lead to the warranty voided.

Cleaning after diving

Rinse the torch immediately with fresh water to remove salt crystals, sand or any other particles and dry the torch carefully before charging. Check the water plug o-ring , and make sure there is no water in the tail-plug before charging. Ensure the charger plug is completely dry. If the torch is placed in the charger with water in the charging port warranty is void.

DO NOT DIVE WITHOUT THE TAIL PLUG /EN CAP ATTACHED !

GENERAL WARNINGS

Never open a WiseONE torch. This will break the seals and void warranty. For service and repair enquiries contact WiseLED by email or FACEBOOK.

Never use the end plug for other than charging. Always rinse in fresh water after diving in saltwater, and before charging. Always store your WiseONE fully charged.

Warranty

There is a 2 year limited warranty on construction failures of the torch. The battery has a limited warranty for 6 months from the purchase date.

If there is a problem with your product, register you product online and retrieve a RMA before you ship your product to us.

Vandalism and misuse are not covered nby warranty. Warranty is voided if the torch seal is broken (if you try to open the torch your self).

Note

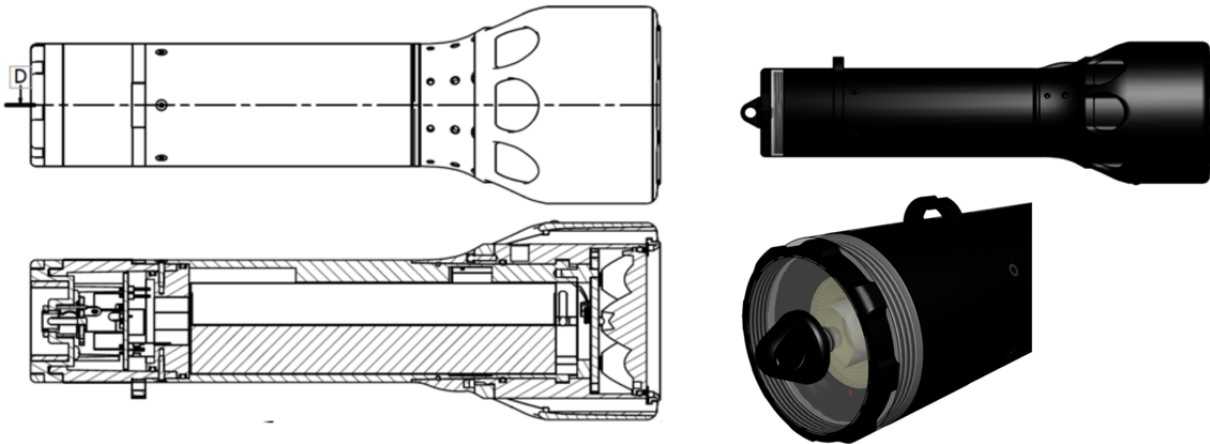
Product specifications may change without notice, check the specifications online on our website www.wiseled.com .

WiseLED ApS
Nellebakken 5
DK 3250 Gilleleje
Denmark
www.wiseled.com
Email: support@wiseled.com

Follow us on Facebook for the latest updates



WiseONE Black Edition – W901-3000
NSN: 6230-22-626-6215



Technical specifications

Specifications	Data
Lumens	5000
Peak illuminance	200.000 lux @ 1 meter, calculated *
Beam angle	4,6 degrees / 2,3 degree half angle
Dimension	74mm (head) x 235mm
Weight:	846 grams
Battery pack:	Li-ion 75Wh 6 cell battery pack

Runtimes

Output setting	Runtime
100 %	3 hours 20 minutes
80%	4 hours 30 minutes
60%	6 hours
40%	9 hours
20%	18 hours

**Note Due to high intensity LED array, the distance from EUT (EQUIPMENT UNDER TEST) to the calibrated LUX meter must be longer than 6 meter. (To be able to measure the output from all 7 LEDs).*

** Note 2: Runtimes measured in 20 degrees celcius ambient temperature*

